



FGH-series

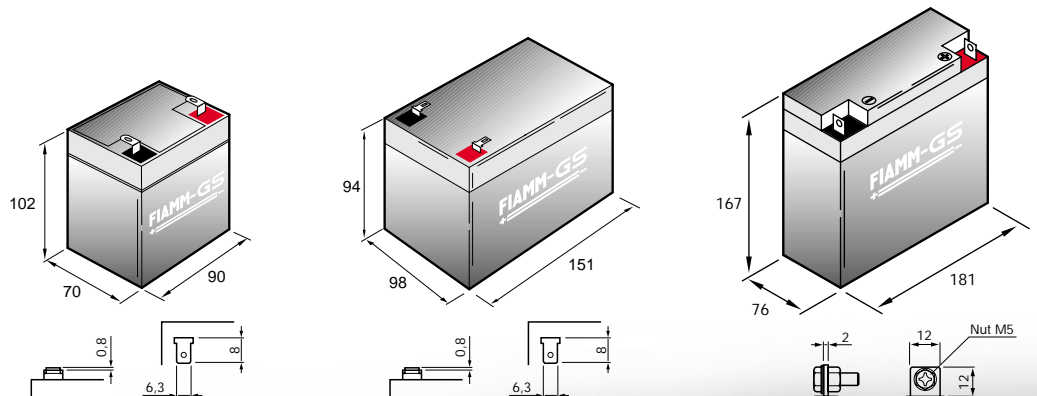
high-rate discharge range

Valve regulated lead-acid batteries

With greater demand for smaller, more powerful UPS units, Fiamm-GS introduces a new generation of high-rate discharge VRLA products. These five-year batteries offer a 40% higher discharge rate than existing models.

Technical information

Battery Model	FGH20502	FGH20902	FGH21803
Nominal Voltage	12 Volts	12 Volts	12 Volts
Nominal Capacity	5.0 Ah	9.0 Ah	18 Ah
Dimensions	90x70x102 mm	151x65x94 mm	181x76x167 mm
with terminals	105 mm	98 mm	
Weight	2.0 kg	2.8 kg	6.2 kg
Energy Density	93.4 Wh/l	112.5 Wh/l	91 Wh/l
Specific Energy	30.0 Wh/kg	38.5 Wh/kg	33.9 Wh/kg
Internal Resistance of Fully Charged Battery	18 mΩ	13 mΩ	7.5 mΩ
Maximum discharge with standard terminals	30 amperes	54 amperes	108 amperes
with constant power		68 A	
Maximum 5-second discharge current	75 amperes	135 amperes	278 amperes
Charge Voltage			
Cyclic use	14.4 - 14.7 V	14.4 - 14.7 V	14.4 - 14.7 V
Float use	13.5 - 13.8 V	13.5 - 13.8 V	13.5 - 13.8 V
Maximum Charge Current	1.25 A (C/4)	2.25 A (C/4)	4.5 A
Terminals	Fast-on 6,3 (US: F2)	Fast-on 6,3 (US: F2)	Bolt and Nut M5
Vibration Test	No loss in capacity or performance (2,000 cycles/minute, 2.5 mm excursion)		
Shelf Life at 20°			
1 month	97%	97%	97%
3 months	91%	91%	91%
6 months	82%	82%	83%
Storage Temperature	-20°C to 40°C	-20°C to 40°C	-20°C to 40°C
Operating Temperature			
Charge	0°C to 40°C	0°C to 40°C	0°C to 40°C
Discharge	-20°C to 50°C	-20°C to 50°C	-20°C to 50°C
Case Material	Synthetic Resin (ABS)		Acrylonitrile-Butadiene-Styrene
	UL-94 (V0 plastic available upon request)		UL-94 HB
Life Expectancy	3-5 years according to Eurobat standards		



FIAMM-GS





- 1** Terminal
- 2** Valve
- 3** Separator
- 4** Case
- 5** Negative plate
- 6** Positive plate

Valve regulated lead-acid batteries

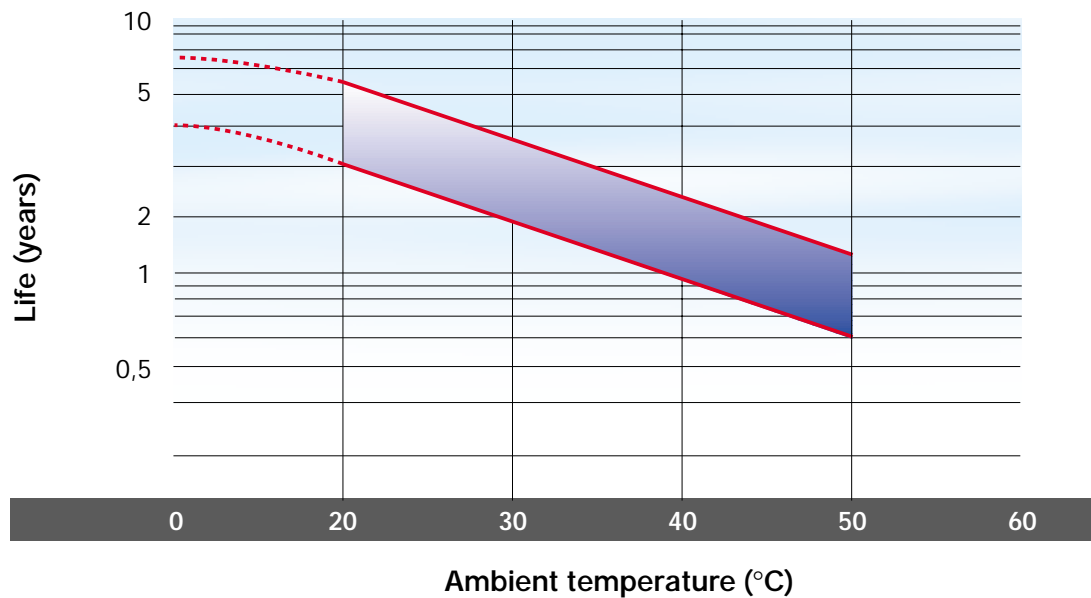
Typical discharge power at 25°C (W)

FGH20502 12V 5Ah					
Time	5'	10'	15'	30'	60'
1.8 V/Cell	275	185	130	85	48
1.7 V/Cell	305	200	140	88	49
1.6 V/Cell	320	205	142	90	50

FGH20902 12V 9Ah					
Time	5'	10'	15'	30'	60'
1.8 V/Cell	395	270	220	136	76
1.7 V/Cell	420	285	225	138	78
1.6 V/Cell	430	290	230	140	80

FGH21803 12V 18Ah					
Time	5'	10'	15'	30'	60'
1.8 V/Cell	684	497	397	254	156
1.7 V/Cell	790	547	423	267	162
1.6 V/Cell	850	570	440	270	163

Life characteristics of stand-by use



Viale Europa, 63
 36075 Montecchio Maggiore - VICENZA - ITALY
 Phone +39 444 709350 - Fax +39 444 709360
<http://www.fiamm-gs.com>

